

Stainless Steel Adjustable Legs



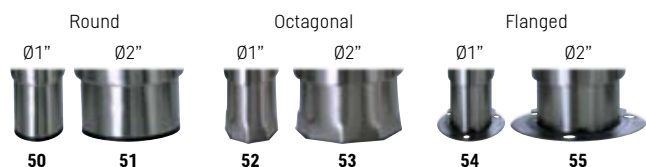
- SSL.52.60.10.80** Leg with hex base, square top plate, adjustable 60-110mm
- SSL.53.120.14.100** Leg with hex base, M12 stud, adjustable 120-190mm

Stainless Steel Adjustable Legs

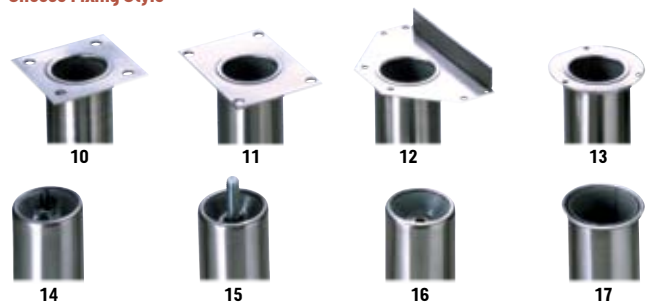
- PLEASE NOTE: **MINIMUM ORDER IS 200 PIECES**
- Stocked to order



Choose Foot Style



Choose Fixing Style



State Minimum and Maximum Height



Threaded Inserts



- P25SQT** Black, M8, 25 square
- P30SQT** Black, M8, 30 square
- P40SQT** Black, M10, 40 square

End Caps :: Square

- Black Plastic



- P20SQ** 20mm, tube thickness 1.0 - 1.5mm
- P25SQ** 25mm, tube thickness 1.4 - 2.0mm
- P30SQ** 30mm, tube thickness 1.0 - 2.0mm
- P40SQ** 40mm, tube thickness 1.5 - 3.2mm

End Caps :: Rectangular

- Black Plastic



- P4020REC** 40 x 20mm, tube thickness 1.5 - 2.0mm
- P5025REC** 50 x 25mm, tube thickness 1.2 - 1.5mm
- P5030REC** 50 x 30mm, tube thickness 1.5 - 2.5mm

End Caps :: Round

- Black Plastic



- P13RD** 13mm, tube thickness 0.8 - 2.5mm
- P16RD** 16mm, tube thickness 0.8 - 2.5mm
- P20RD** 20mm, tube thickness 1.0 - 1.6mm
- P25RD** 25mm, tube thickness 1.4 - 2.0mm
- P30-32RD** 30-32mm, tube thickness 1.4 - 1.8mm
- P38RD** 38mm, tube thickness 1.4 - 2.0mm

End Caps :: Round

- Black Plastic, chrome plated
- Internal use only



- P25RDCP** 25mm, tube thickness 1.4 - 2.0mm
- P32RDCP** 32mm, tube thickness 1.4 - 2.0mm
- P38RDCP** 38mm, tube thickness 1.4 - 2.0mm
- P50RDCP** 50mm, tube thickness 1.4 - 2.0mm

Adjustable Feet for Threaded Insert :: Non-Tilt

- Max Vertical Load:** 400kg
- Thread Length:** 40mm (1 3/64")
- Base Diameter:** 38mm (1 1/2")
- Overall Height:** 55mm (2 11/64")



- AFM8** Non-tilt, adjustable foot, M8 thread
- AFM10** Non-tilt, adjustable foot, M10 thread

Adjustable Feet for Threaded Insert :: Tilt

- Max Vertical Load:** 100kg
- Thread Length:** 25mm (1")
- Base Diameter:** 38mm (1 1/2")



- AFM8TG** Tilt Glide, adjustable foot, M8 thread