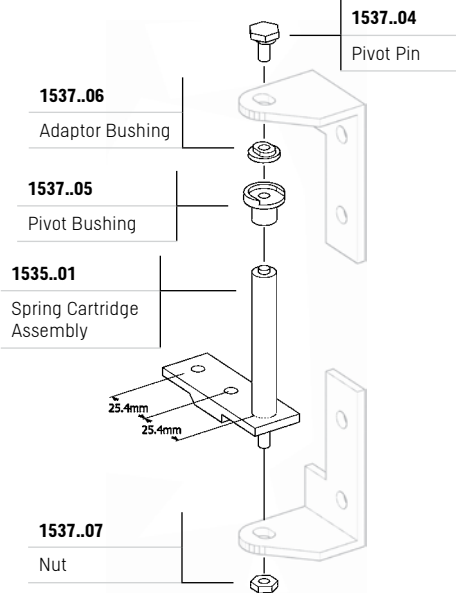


### 1535 :: Pivot Hinge



- Field-adjustable die-cast zinc spring cartridge lets user select correct tension for smoother door operation
- Cam dwell keeps door open beyond 90° for easy access.
- Positive stop at 115° prevents interference with adjoining equipment
- Built-in overclose assures constant door pressure and full gasket seal

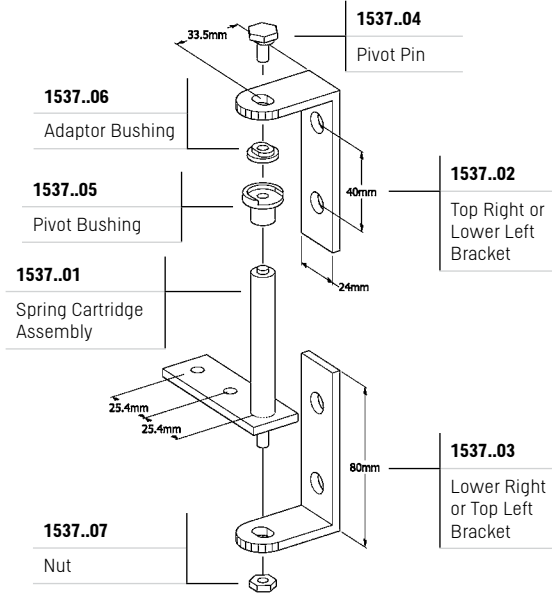


<b>1535/000001</b>	Spring Cartridge Assembly with Nut
<b>1537/000004</b>	Pivot Pin
<b>1537/000005</b>	Pivot Bushing
<b>1537/000006</b>	Adaptor Bushing
<b>1537/000007</b>	Nut

### 1537 :: Pivot Hinge



- Field-adjustable die-cast zinc spring cartridge lets user select correct tension for smoother door operation
- Cam dwell keeps door open beyond 90° for easy access
- Built-in overclose assures constant door pressure and full gasket seal
- The shorter bracket 1538 may also be used with cartridge assembly 1537

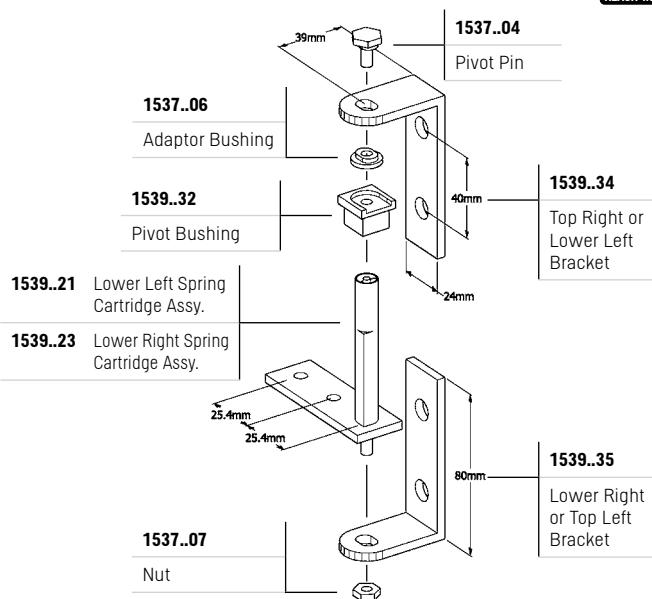


<b>1537/000001</b>	Spring Cartridge Assembly with Nut
<b>1537/000002</b>	Top Right Hand or Bottom Left Hand Bracket
<b>1537/000003</b>	Top Left Hand or Bottom Right Hand Bracket
<b>1537/000004</b>	Pivot Pin
<b>1537/000005</b>	Pivot Bushing
<b>1537/000006</b>	Adaptor Bushing
<b>1537/000007</b>	Nut

### 1539 :: Pivot Hinge



- Field-adjustable die-cast zinc spring cartridge lets user select correct tension for smoother door operation
- Cam dwell keeps door open beyond 90° for easy access
- Positive stop at 115° prevents interference with adjoining equipment
- Built-in overclose assures constant door pressure and full gasket seal



<b>1539/000021</b>	Lower Left Spring Cartridge Assembly with Nut
<b>1539/000023</b>	Lower Right Spring Cartridge Assembly with Nut
<b>1539/000034</b>	Top Right Hand or Bottom Left Hand Bracket
<b>1539/000035</b>	Top Left Hand or Bottom Right Hand Bracket
<b>1537/000004</b>	Pivot Pin
<b>1539/000032</b>	Pivot Bushing
<b>1537/000006</b>	Adaptor Bushing
<b>1537/000007</b>	Nut