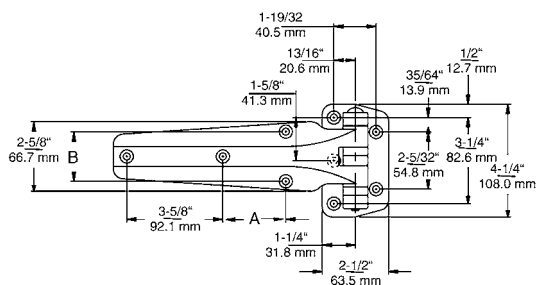


### 1241 :: Heavy Duty Double Knuckle Hinge



- Engineered to take great stress and resist sag
- Ribbed underside construction reduces weight while adding strength
- **Material:** High pressure die-cast zinc with stainless steel pin and nylon bearings
- **Finish:** Polished chrome
- **Strap Length:** 228.6mm (9")
- **Mounting:** Holes drilled and countersunk for 6.0mm (1/4") screws. Strap available with three different mounting hole locations
- **Load Rating:** See Hinge Selector Chart, Group D



- 1241000004** Hinge, Offset: 0.0mm (Flush), Dimension A: 60.3mm (2 3/8"), Dimension B: 47.6mm (1 7/8")
- 1241000008** Hinge, Offset: 28.6mm (1 1/8"), Dimension A: 60.3mm (2 3/8"), Dimension B: 47.6mm (1 7/8")
- 1241H00004** Hinge, Offset: 0.0mm (Flush), Dimension A: 46mm (1 23/32"), Dimension B: 42.9mm (1 11/16")

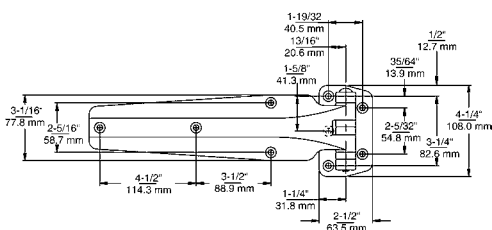
### 1251 :: Heavy Duty Double Knuckle Hinge



- Ribbed underside construction reduces weight while adding strength
- **Material:** High pressure die-cast zinc with stainless steel pin and nylon bearings
- **Finish:** Polished chrome
- **Mounting:** Drilled and countersunk for 6.0mm (1/4") flat head screws
- **Load Rating:** See Hinge Selector Chart, Group D



Exclusive ribbed construction

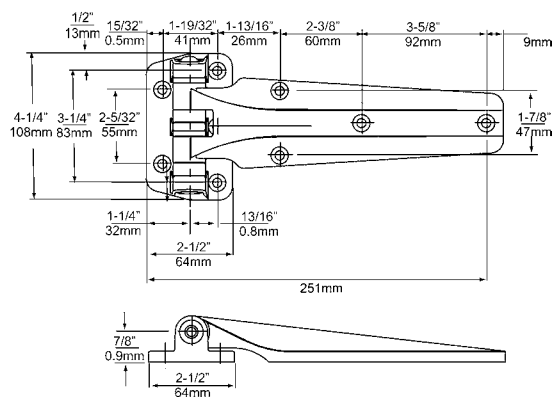


- 1251000008** Hinge, Offset: 28.6mm (1 1/8")
- 1251000016** Hinge, Offset: 34.9mm (1 3/8")

### 1341 :: Stainless Steel Double Knuckle Hinge



- Classic Kason design in high strength polished stainless steel
- Engineered to accept extreme stress and resist door sag
- Ultimate hinge for use in process plants, harsh outdoor weather and caustic environments
- Resists abuse and tampering
- Order right hand and left hand separately
- Double thrust washers provide smoothest operation
- **Material:** 304 Stainless steel with stainless pin and nylon bearings
- **Finish:** Polished
- **Offset:** Flush
- **Strap Length:** 228.6mm (9")
- **Mounting:** Holes drilled and countersunk for 6.0mm (1/4") screws
- **Load Rating:** See Kason Hinge Selector Chart, Group D

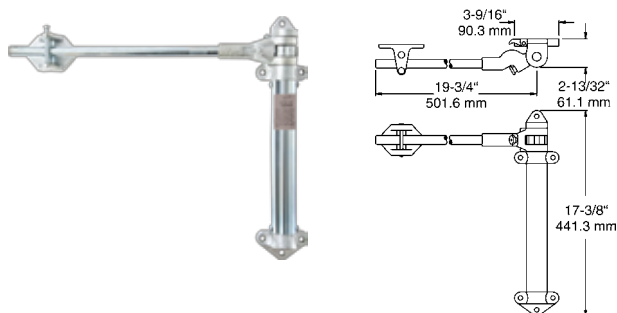


- 1341000003** Stainless Steel Strap Hinge, Flush Left Hand
- 1341000004** Stainless Steel Strap Hinge, Flush Right Hand

### 1097 :: Spring Action Door Closer



- High tension closer recommended for doors exceeding 90.7kg (200 lb)
- Spring tension can be set to close door under a wide range of conditions
- Roller rod guide assures smooth operation with either rise or fixed pin hinges
- Invert for left-hand applications
- **CAUTION:** For operator safety, Model No. 1097 door closer is intended to be used where high force is necessary to close heavy doors. Mount door closer as low as possible
- **Material:** Malleable iron with steel rod and tube
- **Finish:** Kasonized
- **Mounting:** Guide drilled for 6.0mm (1/4") screws. Closer drilled for 9.0mm (3/8") screws. Mount just above lower hinge for best results
- **Offset:** 22.2mm (7/8") maximum without shimming



- 1097000004** Closer